

Winterhalter GS 630

The GS 630 is the world's smallest utensil washer and is the ideal solution for washing utensils in small kitchens or tight spaces. Excellent washing results on Euronorm trays, sheet pans, Gastronorm containers, trays and grease filters.

The GS 630 handles big tasks in **foodservice, bakeries** and **butchers** as well as **fast food restaurants**. It is hygienic and efficient and saves a considerable amount of time. If required, the GS 630 also offers programmes to wash **dishes, cutlery** and **glasses**, with some restrictions.

With its simple, **self explanatory** Winterhalter **single-button operation**, the dishwasher has everything under control. The **language-neutral colour coding** prevents mistakes - a big advantage when the turnover of untrained personnel is high. The **rinse water consumption** of 4.4 litres per wash cycle is very small compared to other utensil washers.

The top and bottom reversing arms provide **maximum washing power** and guarantee the best cleaning results. The smooth, hygiene tank keeps dirt and deposits away.

Features:

- Single-button operation with colour coding
- Operating panel (e.g. for adaption of dosing, water treatment, temperatures, etc.)
- Maximum coverage with top and bottom reversing wash arms
- Hygiene features
 - Quadruple wash water filtration (strainer, filter cassette, pump screen, Mediamat wash water filtration)
 - Integrated self-cleaning programme
 - Thermostop on the boiler for ensuring the required rinse temperature
- Service diagnosis programme
- Clear entry height 410 mm (without rack)
- Integrated rinse aid dosing device incl. suction pipe
- Non pressurised boiler for rinsing
- Drain pump
- Spray guard IPX5



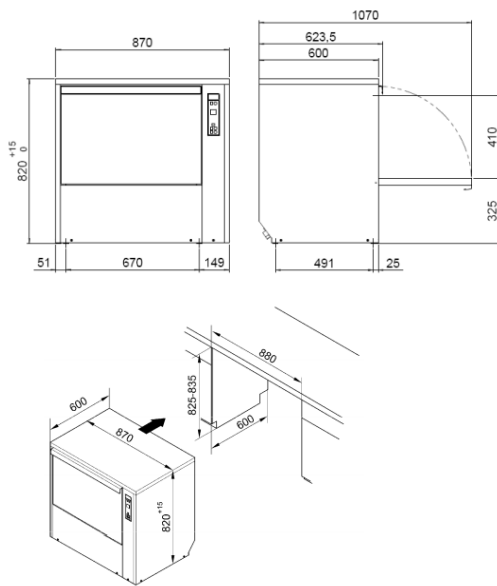
Your benefits are:

- Best washing results
- Easy operation
- Low operating costs
- Energy efficiency
- Short wash-cycle-time
- Modern and compatible design
- High service friendliness

Options:

- Cold water pre-washing
- Integrated detergent dosing device incl. suction pipe
- Integrated defoamer dosing device incl. suction pipe
- Adjustable boiler temperature
- Buzzer (e.g. signal for low detergent and rinse aid level)
- Marine model with transformer

Winterhalter GS 630



Dimensions

Width x depth x height:	870x600x820 - 835 mm
Depth with door open:	1,070 mm
Rack dimensions:	650 x 508 mm
Clear entry height (with rack):	410 ± 5 mm
Water connection:	G 3/4"
Waste water connection:	ø 39.7 mm

General data

Weight Standard (net / gross):	105 / 120 kg
Tank capacity:	25 l
Circulating pump:	150 l/min
Noise emission:	< 70 dB(A)
Splash guard:	IPX5

Max. theoretical capacity

Racks / h: 38 / 29 / 12

Cycle duration

94 / 124 / 300 sec.

Rinse water consumption (under ideal conditions)

4.4 l per rack

Water connection

Flow pressure Standard:	1.0 – 6.0 bar
Flow pressure (cold water pre-washing):	2.5 – 6.0 bar
Flow rate:	at least 4 l/min.
Flow rate (cold water pre-washing):	at least 15 l/min.
Water inlet temp.:	max. 60° C
Water inlet temp.(cold water pre-washing):	max. 20° C

Thermal radiation

Sensitive:	0.4 kW
Latent:	0.2 kW

Extraction

Cubic metres / h:	19
Relative humidity:	100 %
Temperature:	60 °C

Marks of conformity

CB, SVGW, WRAS

Weight pressure point per foot

Standard: 34.5 kg

Electrical values

Voltage	Fuse protection	Tank heating	Total connected load	Boiler heating	Pumps + Control unit
380 – 415V3N~, 50+60 Hz Australia	16 A	6.5 kW	8.3 kW	6.5 kW	1.8 kW